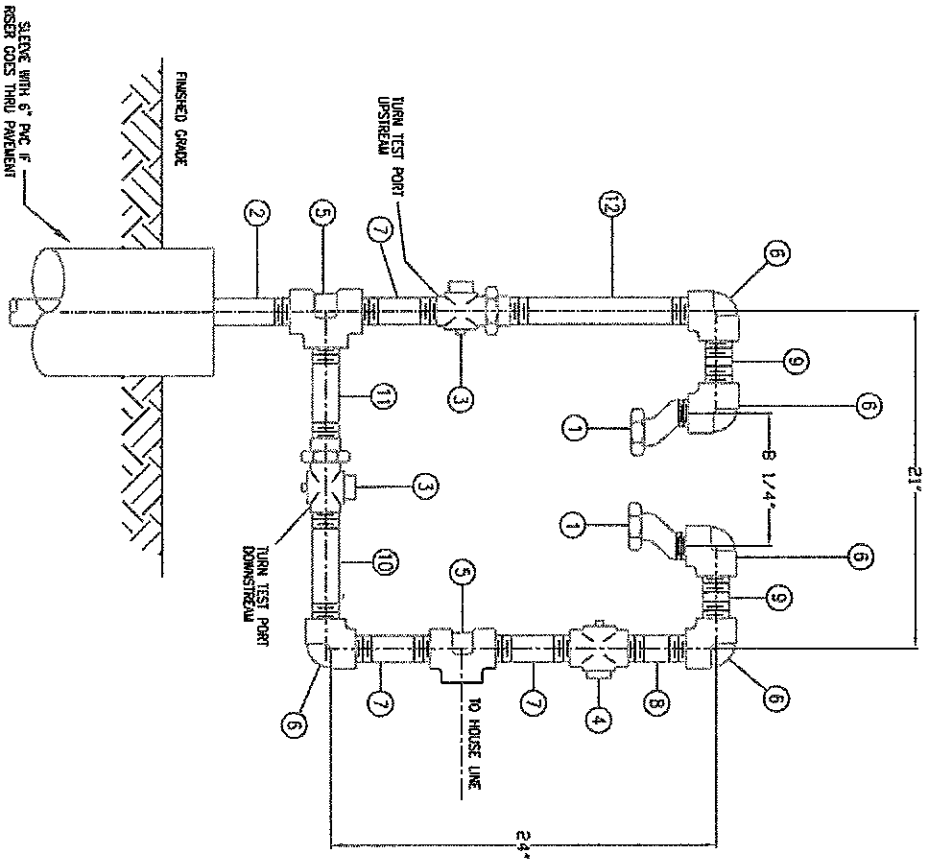


BILL OF MATERIAL

ITEM	QTY.	SIZE	DESCRIPTION
1	2	1 1/4"	METER SWIVELS W/NUITS, PROVIDED BY GAS COMPANY
2	1	1 1/4"	METER RISER, APPROVED TYPE, INSTALLED BY GAS COMPANY
3	2	1 1/4"	VALVE, METER, WINGLOCK, W/ANS UNION, WITH TEST PORT.
4	1	1 1/4"	VALVE, METER.
5	2	1 1/4"	TEE, SCREW
6	5	1 1/4"	ELL. SCREW
7	3	1 1/4" X 6"	NIPPLE, SCREW
8	1	1 1/4" X 5"	NIPPLE, SCREW
9	2	1 1/4" X 4"	NIPPLE, SCREW
10	1	1 1/4" X 8"	NIPPLE, SCREW
11	1	1 1/4" X 7"	NIPPLE, SCREW
12	1	1 1/4"	PIPE, SCREW, CUT TO FIT



METER DIMENSIONS
 14-7/8" in height, less swivels
 10-3/4" wide overall
 10-3/16" front to back

NOTES:

- 1.) RISER AND SETTING TO BE BRACKETED TO WALL OR POSTS AS REQUIRED TO HOLD STABLE.
- 2.) METER SETTING MUST BE INSTALLED PLUMB AND LEVEL, AND SECURED TO REMAIN SAME.
- 3.) INSTALL PROTECTION FROM VEHICULAR TRAFFIC WHERE NECESSARY.
- 4.) NIPPLE LENGTH MAY VARY DUE TO VALVE & FITTING MANUFACTURER

Columbia Gas [®] of Kentucky		Revised _____ Date _____ Drawn _____ Date 9/5/00 Checked _____ Date _____ Des. Approved _____ Date _____ Title _____ City/County _____ State KY
Customer _____ 400 SERIES METER SET LOW PRESSURE WITH BYPASS		Drawing No. CKY-06