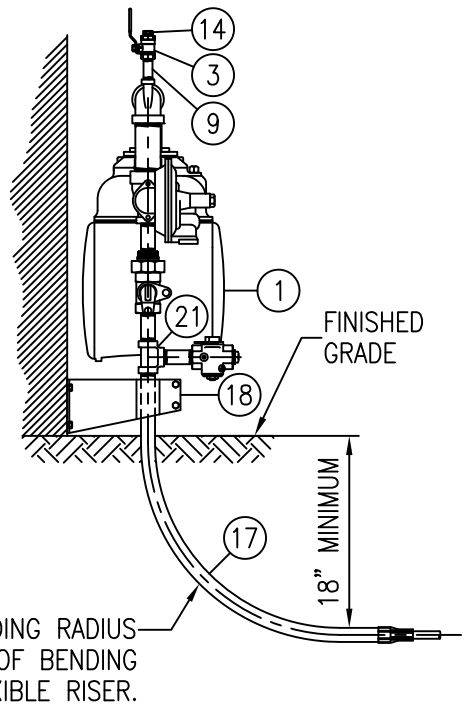
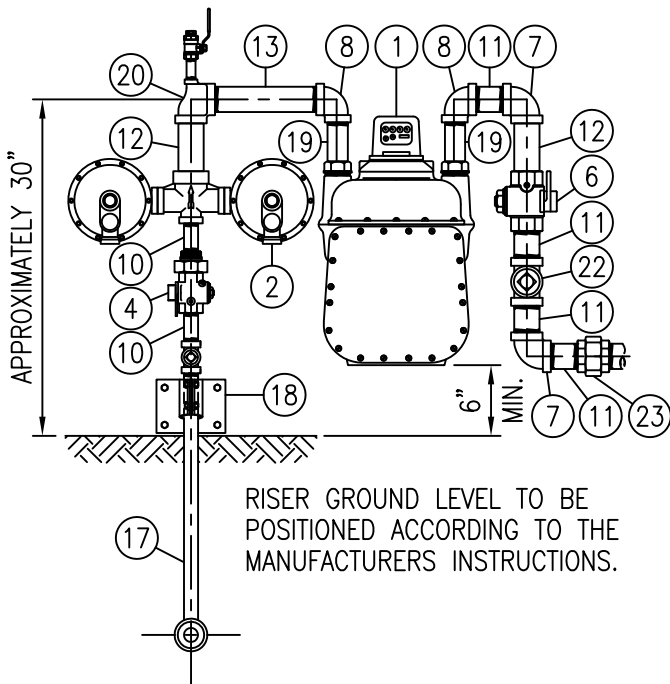
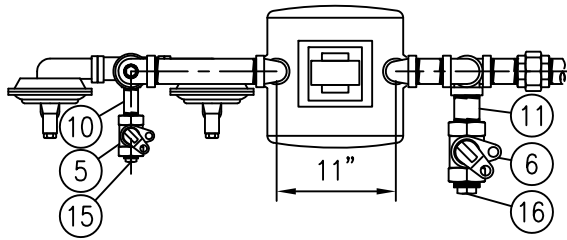


REGULATOR TABLE "A"

SIZE	REGULATOR TYPE	ELBOW ITEM 21	NIPPLE ITEM 12
1 1/4"	B-42R OR B-31-IMR	1 1/2" X 1 1/4"	1 1/4" X 6"
1" X 2"	B-531-IMR	2" X 1 1/2"	2" X 6"
2"	B-34-IMR	2" X 1 1/2"	2" X 6"
2"	CL-34-2-IM	2" X 1 1/2"	2" X 6"

METER TABLE "B"

SIZE	METER TYPE	SWIVEL ITEM 19	ELBOW ITEM 8
1 1/2"	AMERICAN AL-800	1 1/2"	2" X 1 1/2"
2"	AMERICAN AL-1000	2"	2"



THE STANDARD DRAWING DEPICTED HERE HAS BEEN DESIGNED IN ACCORDANCE WITH USDOT PIPELINE SAFETY STANDARDS SET FORTH AT 49 CFR PART 192, AND THE REQUIREMENTS OF NFPA 54. DEVIATION FROM THIS DRAWING, EITHER IN MATERIALS OR SPECIFICATIONS, WITHOUT THE WRITTEN APPROVAL OF THE NISOURCE INC. DESIGN ENGINEER IS NOT AUTHORIZED, AND NISOURCE, INC. WILL NOT BE HELD ACCOUNTABLE FOR THE IMPROPER OPERATION OF THE FACILITY. A QUALIFIED PLUMBER, OTHER INSTALLER OR THE MANUFACTURER SHOULD BE CONSULTED FOR PROPER INSTALLATION AND/OR TESTING OF THIS FACILITY, AND NEITHER NISOURCE, INC. NOR ANY AFFILIATE OR SUBSIDIARY OF NISOURCE, INC. SHALL BE RESPONSIBLE FOR THE INSTALLATION AND/OR TESTING OF THE FACILITY.

Note: IN KENTUCKY, THE COMPANY WILL INSTALL THE RISER

NiSource™

**NiSource Energy
Distribution**

DRAWING TITLE
**OUTSIDE METER SETTING USING
800 TO 1000 CLASS METERS**

DRAWN
L.HARTLEY-CLARK

DATE
10-15-04

DRAWING NO.
PLMB-0003

ISSUE NO.

CHECKED

DATE

SHEET NO.
1 of 2

5

BILL OF MATERIAL

ITEM	QTY	SIZE	DESCRIPTION
1	1	SEE TABLE B	METER, DIAPHRAM, TO BE PROVIDED BY COLUMBIA GAS
2	1	SEE TABLE A	REGULATOR, INTERNAL MONITOR, TO BE PROVIDED BY COLUMBIA GAS
3	1	1/2"	VALVE, BALL, SCREW, CARBON STEEL, ONE PIECE BODY, 2000# W.P.
4	1	SEE NOTE 7	VALVE, METER STOP, INSULATED UNION, LOCKWING, USE ONLY APPROVED MFG.
5	1	1"	VALVE, METER STOP, SCREWED BODY, LOCKWING, USE ONLY APPROVED MFG.
6	2	2"	VALVE, METER STOP, SCREWED BODY, LOCKWING, USE ONLY APPROVED MFG.
7	2	2"	ELBOW, 90 DEG., THREADED, MALLEABLE IRON, STANDARD, CLASS 150
8	2	SEE TABLE B	ELBOW, REDUCING, 90 DEG., THREADED, MALLEABLE IRON, STANDARD, CLASS 150
9	1	1/2" X 3"	NIPPLE, PIPE, STEEL, GRADE B, EX. HVY., THREAD BOTH ENDS
10	3	1" X 4"	NIPPLE, PIPE, STEEL, GRADE B, EX. HVY., THREAD BOTH ENDS
11	5	2" X 4"	NIPPLE, PIPE, STEEL, GRADE B, EX. HVY., THREAD BOTH ENDS
12	2	2" X 6"	NIPPLE, PIPE, STEEL, GRADE B, EX. HVY., THREAD BOTH ENDS
13	1	2" X 11"	NIPPLE, PIPE, STEEL, GRADE B, EX. HVY., THREAD BOTH ENDS
14	1	1/2"	PLUG, FORGED STEEL, HEX HEAD, 3000#
15	1	1"	PLUG, FORGED STEEL, SQUARE HEAD, 3000#
16	1	2"	PLUG, FORGED STEEL, SQUARE HEAD, 3000#
17	1	SEE NOTE 7	RISER, APPROVED ANODELESS, STUB OR ENCASED OR FLEX CASING PRE-BENT STEEL
18	1	SEE NOTE 7	RISER BRACKET
19	2	SEE TABLE B	SWIVEL, METER OFFSET, MALLEABLE IRON WITH NUT
20	1	2" X 1/2" X 2"	TEE, REDUCING, THREADED, MALLEABLE IRON, STANDARD, CLASS 150
21	1	1"	TEE, THREADED, MALLEABLE IRON, STANDARD, CLASS 150
22	1	2"	TEE, THREADED, MALLEABLE IRON, STANDARD, CLASS 150
23	1	2"	UNION, INSULATED, MALLEABLE IRON, STANDARD, CLASS 150

WHEN SPECIFYING THE 2" B-34-IMR OR CL-34-2-IM SUBSITUTE (1) ITEM 10 & (1) ITEM 14 WITH THE FOLLOWING ITEMS

1C	1	1" X 2"	NIPPLE, PIPE, STEEL, GRADE B, EX. HEAVY, THREAD BOTH ENDS
2C	1	2" X 4"	NIPPLE, PIPE, STEEL, GRADE B, EX. HEAVY, THREAD BOTH ENDS
3C	1	2" X 8"	NIPPLE, PIPE, STEEL, GRADE B, THREAD BOTH ENDS
4C	1	2" X 1"	REDUCER, THREADED, MALLEABLE IRON, STANDARD, CLASS 150

NOTES

1. REFER TO COLUMBIA GAS STANDARDS FOR CUSTOMER SERVICE LINES, METERS, AND SERVICE REGULATORS (PLUMBER'S GUIDE) FOR PROPER METER SET INSTALLATION INSTRUCTIONS.
2. APPROVED METER SUPPORT MUST BE USED.
3. IF THE SERVICE LINE IS STEEL, CONTACT COLUMBIA GAS PERSONNEL FOR SPECIFIC INSTALLATION INSTRUCTIONS.
4. PREFABRICATED RISERS AND BRACKETS MUST BE INSTALLED AND SECURED ACCORDING TO THE MANUFACTURER'S INSTALLATION INSTRUCTIONS.
5. THE METER MUST BE INSTALLED IN A LEVEL POSITION.
6. NO SCREW FITTINGS ARE TO BE USED BELOW GROUND.
7. THESE ITEMS MUST BE APPROPRIATELY SIZED FOR THE SPECIFIC CONDITIONS.
8. WHEN MEASURING FROM A LOW PRESSURE SYSTEM, THE REGULATOR (ITEM 2), SHALL BE REPLACED WITH A 2" X 1" MALLEABLE IRON REDUCER, CLASS 150.

DRAWN L.HARTLEY-CLARK	DATE 10-15-04	DRAWING NO. PLMB-0003	ISSUE NO.
CHECKED	DATE	SHEET NO. 2 OF 2	