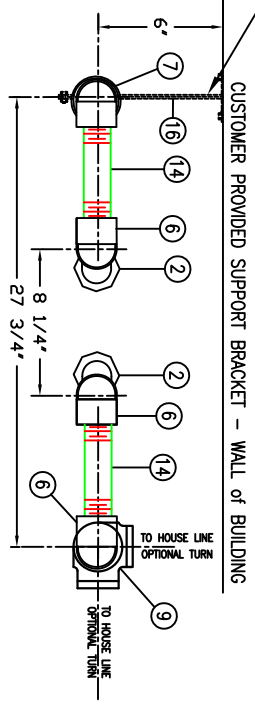
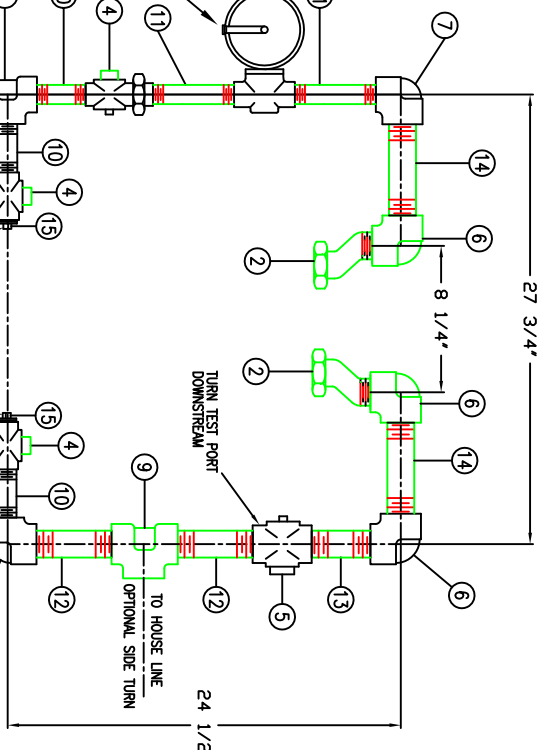


CKY RISER BRACKET
 RISER BRACKET ONLY
 INSTALLED BY CKY.
 OTHER SUPPORT TO BE
 SUPPLIED BY CUSTOMER.



B-31-IMR OPTION
 (1 1/4" REGULATOR)



FINISHED GRADE
 SLEEVE WITH 6" PVC IF
 RISER GOES THRU FURNACE
 CONCRETE OR SOLID MASS
 CUSTOMER TO INSTALL

BILL OF MATERIAL

ITEM	QTY.	SIZE	DESCRIPTION
1	1	1"	REGULATOR, 1" DOMESTIC, PROVIDED BY GAS COMPANY.
2	2	1 1/4"	METER SWIVELS w/NUTS, PROVIDED BY GAS COMPANY
3	1	1"	METER RISER, APPROVED TYPE, INSTALLED BY GAS COMPANY
4	3	1"	VALVE, METER, WINGLOCK, w/TEST PORT.
5	1	1 1/4"	VALVE, METER.
6	3	1 1/4"	ELL, SCREW
7	2	1 1/4" X 1"	ELL, SCREW
8	1	1"	TEE, SCREW
9	1	1 1/4"	TEE, SCREW
10	3	1" X 4"	NIPPLE, SCREW
11	2	1" X 6"	NIPPLE, SCREW
12	2	1 1/4" X 6"	NIPPLE, SCREW
13	1	1 1/4" X 5"	NIPPLE, SCREW
14	2	1 1/4" X 7"	NIPPLE, SCREW
15	2	1"	PLUG HEX-HEAD BLK SCR
16	1	1" - 2"	WALL MOUNT RISER BRACKET & ANCHORS, INSTALLED BY GAS COMPANY

B-31-IMR OPTION

ITEM	QTY.	SIZE	DESCRIPTION
1	1	1 1/4"	REGULATOR, 1 1/4" DOMESTIC, PROVIDED BY GAS COMPANY
6	4	1 1/4"	ELL, SCREW
7	1	1 1/4" X 1"	ELL, SCREW
11	0	1" X 6"	NIPPLE, SCREW
12	4	1 1/4" X 6"	NIPPLE, SCREW
17	1	1 1/4" X 1"	REDUCER, SCREW
18	1	1" X 2 1/2"	NIPPLE, SCREW

METER DIMENSIONS

14-7/8" in height, less swivels
 10-3/4" wide overall
 10-3/16" front to back

NOTES:

- 1.) RISER AND SETTING TO BE BRACKETED TO WALL OR POSTS AS REQUIRED TO HOLD STABLE.
- 2.) METER SETTING MUST BE INSTALLED PLUMB AND LEVEL, AND SECURED TO REMAIN SAME.
- 3.) INSTALL PROTECTION FROM VEHICULAR TRAFFIC WHERE NECESSARY.
- 4.) BY-PASS METER VALVES MUST BE 12" ABOVE FINISHED GRADE
- 5.) NIPPLE LENGTHS MAY VARY DUE TO VALVE & FITTING MANUFACTURER

Columbia Gas of Kentucky

Customer: _____
 Project: **400 SERIES METER SET REGULATED WITH BYPASS OPTION**
 State: **KY**

Revised	D Lemons	08/17/07
Revised	D Griffith	04/06/07
Drawn	Rick Poe	8/21/00
Checked		
Desig. Approved		
Proj. Title	Sld. PLMB-0002(KY)	
City/County		Drawing No. CKY-05